

Impact-Pi 101D



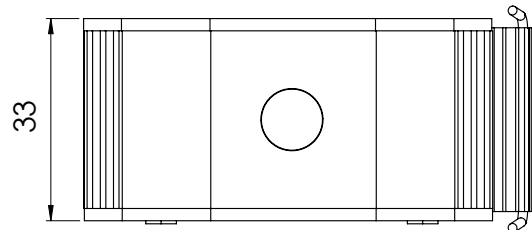
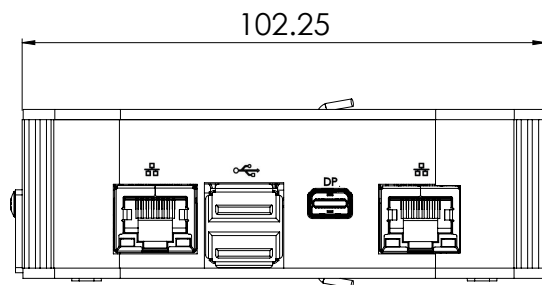
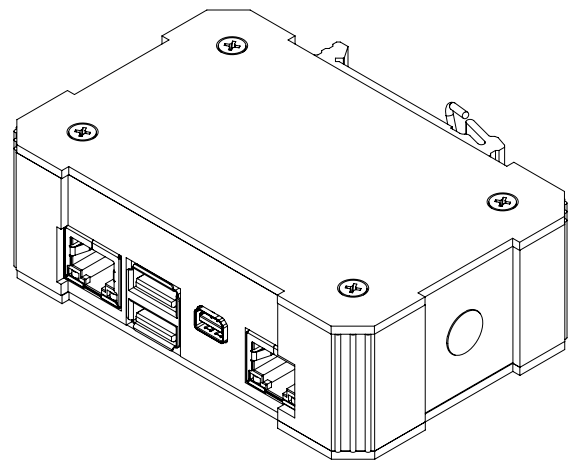
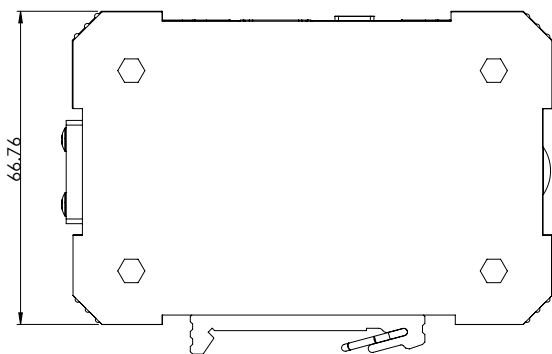
Features

The IoT Edge ready Impact-Pi 101D is a super-compact, DIN Rail mountable, low power embedded system, utilising the superb Intel Atom® X5-E3930 processing technology.

Key features:

- 3 year warranty
- Long life cycle
- Din Rail mount

Dimensions



Impact-Pi 101D

Specifications

The information is believed to be accurate. However Amplicon Liveline Limited accepts no responsibility for any problems caused by errors and omissions. Specifications are subject to change without notice.

Hardware Specification	CPU: Intel Atom® X5-E3930 Main memory: LPDDR4 2GB on board LAN: Dual integrated 10/100/1000	Environmental Operation	Acoustic noise: Near silent operation Operating Temperature: -20°C to 70°C Humidity: 4.5% to 90% non-condensing
Expansion	1x Full-size Mini PCIe (PCIe/USB 2.0, optional USB 3.1 Gen1/USB 2.0)	Environmental Storage	Temperature: -40°C to 85°C Humidity: 4.5% to 90% RH Non condensing
BIOS	Insyde SPI 128Mbit (supports UEFI boot only)	Certifications	CE
Display	1x Mini DP++: resolution up to 4096x2160 @ 60Hz		
Storage	eMMC 64GB		
Supported O/S	Windows 10 IoT Enterprise (64-bit), Linux		
External Interfaces	2 x USB 3.1 Front 2 x RJ45 LAN		
TPM	TPM 2.0		
Main board power options	Single 12V +/-10% DC		
Mechanical	Design: Rugged compact embedded design Cooling: Fanless design Construction: Aluminium with carbon fibre composite Colour: Black Dimensions: 102.25mm x 66.76mm x 33mm (W x H x D) Gross Weight: 200g		

Rear I/O plate

